

Ball Valve

11.01

DUNGS[®]
Combustion Controls



Technical description

Rp 1/4 to Rp 2 ball valve, PN 5 as per DIN EN 331.

DN 25 to DN 200 ball valve, PN 16 as per DIN EN 13774, Part 1.

Rugged and very user-friendly design.

Application

The ball valve is for manual shut-off and for releasing gases of families 1, 2, 3 and other neutral gaseous media.

Other media are air, water, light and domestic heating oils.

Each gas train in conventional design or as DUNGS GasMultiBloc[®] must be completed with a ball valve.

Approvals

EC type test approval as per EC Gas Appliance Directive:

KH 50.. CE-0085 AU 0270

KH 160025-160150 CE-0085 AT 0437

KH 160200 CE-0085 BN 0185

EC type test approval as per EC Pressure Equipment Directive:

KH 50.. CE1115

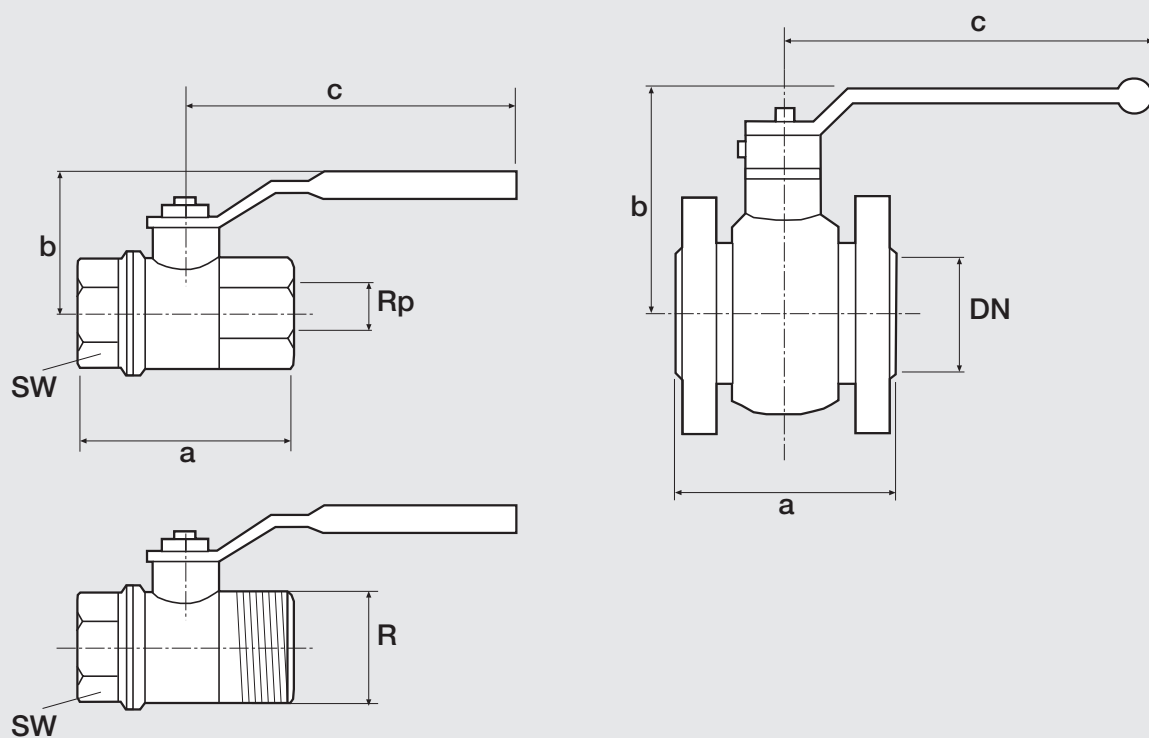
KH 160025-160200 CE0085

HTB 650 °C

KH 160025-160100

Approvals in other important gas consuming countries.

Dimensions [mm]



Specifications

Thread design KH 50...

Internal thread
Rp 1/4 to Rp 2- DIN 2999
External thread
R 1/4 bis R 2 - ISO 7-1

Tube diameter
DN 8 to DN 50

Operating pressure
max. 5 bar

Temperature range
-20 °C to +170 °C (in general)
-20 °C to +60 °C (gas)

Housing
brass, nickel-plated

Ball
brass, hard chrome-plated

Seal
PTFE

O rings
Viton

Handle grip
stainless steel with plastic coating

Flange design KH 160...

Flange
as per DIN EN 1092-1
Overall length DN 25-150 as per DIN 3202-F4
Overall length DN 200 as per DIN 3202-F5

Nominal diameters
DN 25 to DN 200

Operating pressure
max. 16 bar, Standard
max. 4 bar, DN 25-100



Temperature range
-20 °C to +60 °C (gas)

Housing
spheroidal graphite iron casting (GGG40)

Ball
full ball design (GG25)

Seal
PTFE

O rings
Viton, Perburan

Handle grip
annealed cast iron/aluminium

free of nonferrous metals

Overview									
Article designation ¹⁾	Order no.	Max. operating pressure	Connection threads	Connection Rp/DN	Dimensions [mm]			SW ²⁾	Weight [kg]
					a	b	c		
KH 5002 II	096 784	5 bar	Internal / internal	Rp 1/4	50	38	82	20	0.16
KH 5003 II	098 400	5 bar	Internal / internal	Rp 3/8	60	38	82	20	0.15
KH 5005 II	098 418	5 bar	Internal / internal	Rp 1/2	75	43	100	25	0.25
KH 5007 II	098 426	5 bar	Internal / internal	Rp 3/4	80	50	120	32	0.38
KH 5010 II	098 434	5 bar	Internal / internal	Rp 1	90	54	120	41	0.62
KH 5012 II	239 097	5 bar	Internal / internal	Rp 1 1/4	110	73	160	50	0.96
KH 5015 II	098 442	5 bar	Internal / internal	Rp 1 1/2	120	79	160	55	1.20
KH 5020 II	098 459	5 bar	Internal / internal	Rp 2	140	86	160	70	1.99
KH 5002 IA	239 098	5 bar	Internal / external	Rp 1/4	57	39	85	21	0.16
KH 5003 IA	239 099	5 bar	Internal / external	Rp 3/8	57	39	85	21	0.16
KH 5005 IA	239 100	5 bar	Internal / external	Rp 1/2	70	45	85	26	0.25
KH 5007 IA	239 101	5 bar	Internal / external	Rp 3/4	76	48	85	32	0.37
KH 5010 IA	239 102	5 bar	Internal / external	Rp 1	93	59	110	41	0.62
KH 5012 IA	239 103	5 bar	Internal / external	Rp 1 1/4	106	64	110	50	0.98
KH 5015 IA	239 104	5 bar	Internal / external	Rp 1 1/2	113	82	135	54	1.20
KH 5020 IA	239 105	5 bar	Internal / external	Rp 2	133	90	135	69	1.99
KH 160 025	238 579	4 / 16 bar ³⁾		DN 25	125	114	165		3.2
KH 160 032	238 580	4 / 16 bar ³⁾		DN 32	130	125	165		4.7
KH 160 040	238 581	4 / 16 bar ³⁾		DN 40	140	136	185		5.7
KH 160 050	238 582	4 / 16 bar ³⁾		DN 50	150	143	185		7.6
KH 160 065	238 583	4 / 16 bar ³⁾		DN 65	170	158	230		12.0
KH 160 080	238 584	4 / 16 bar ³⁾		DN 80	180	186	360		15.5
KH 160 100	238 585	4 / 16 bar ³⁾		DN 100	190	203	360		22.6
KH 160 125	238 586	16 bar		DN 125	200	223	360		24.5
KH 160 150	238 587	16 bar		DN 150	210	230	625		33.5
KH 160 200	096 818	16 bar		DN 200	400	316	715		91.0

¹⁾ KH = Ball valve ²⁾ SW = wrench width ³⁾ 4 bar @ HTB 650 °C

Subject to change without notice to reflect technical advances.

Head Offices and Factory
Karl Dungs GmbH & Co. KG
Siemensstraße 6-10
D-73660 Urbach, Germany
Telefon +49 (0)7181-804-0
Telefax +49 (0)7181-804-166

Postal address
Karl Dungs GmbH & Co. KG
Postfach 12 29
D-73602 Schorndorf, Germany
e-mail info@dungs.com
Internet www.dungs.com