

# GasMultiBloc®

## Combined servo pressure regulator and safety shut-off valves

MBC-300-SE  
MBC-700-SE  
MBC-1200-SE  
MBC-300-N  
MBC-700-N

**DUNGS®**  
Combustion Controls

7.01

neuvità  
nouveau  
new

- Max. operating pressure 360 mbar (36 kPa)
- Compact design
- High flow rates
- Low weight
- Low power consumption
- Modulating mode
- Adjustable outlet pressure up to 300 mbar (30 kPa)
- Other servo pressure regulator variants:
  - zero pressure
  - constant pressure
- Mountable accessories
  - Pressure switch
  - VPS



DESIGN **PLUS**

### Technical Description

The DUNGS multiple actuator MBC...SE integrates filter, valves and servo pressure regulator in one compact unit:

- Dirt trap: Microfilter
- 2 Solenoid valves up to 360 mbar (36 kPa) to DIN EN 161 Class A Group 2, fast opening
- Servo pressure regulator unit to DIN EN 88 Class A Group 2
- Outlet pressure: 0 - 300 mbar (0 - 30 kPa)
- Precision regulation of outlet pressure
- For optimal outlet pressure stability
- Flanged joints with pipe threads to ISO 7/1 or NPT
- Easy to install
- Low weight

The modular system permits individual solutions with valve proving system, min./max. pressure switches and pressure limiters. High flow rates at low pressure differences.

### Application

The servo pressure regulator permits optimal mixture formation in forced air burners and premix burners in conjunction with mechanical or electronic integrated gas-air regulation units; this applies to modulating and multi-stage floating operating mode. Suitable for gases of gas families 1,2,3 and other inert gaseous media.

### Approvals

EC type test approval as per EC Gas Appliance Directive:

MBC...SE CE-0085 BM 0345

EC type test approval as per EC Pressure Equipment Directive:

MBC...SE CE0036

Approvals in other important gas consuming countries.

## Functional Description

### Gas flow

1. If valves V1 and V2 are closed, chamber a is subjected to inlet pressure.
2. The min. pressure switch (option) is connected to chamber a via a boring.

If the inlet pressure drops below the desired value set on the pressure switch, the switch opens in the direction of the gas burner control system.

3. After they are enabled by the gas burner control system, valves V1 and V2 open. Gas flow is released through chambers a and b.

### Functional description of the combined valve-regulator unit

Valves V1 and V2 can be controlled electrically and separately. Each valve preloads its own compression spring when the plunger opens. When the two valves are open, a pressure pulse runs below the working diaphragm. The size of the pressure pulse changes as a factor of the variable restrictor position D. The outlet pressure  $p_{br}$  acts against the setting spring force via the servo diaphragm until a force equilibrium is attained.

The opposite side of the servo diaphragm is subjected to ambient pressure  $p_{amb}$ .

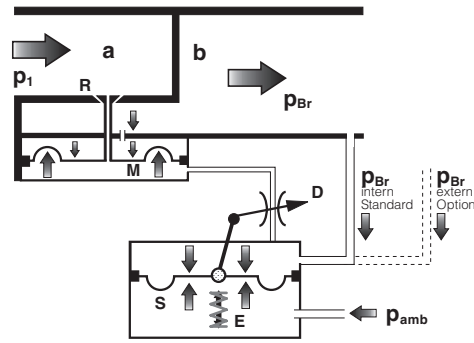
Changes in the equilibrium of forces lead to a change in flow cross-section.

The pressure under the working diaphragm re-adjusts itself. The regulator unit adapts the free valve cross-section to the new flow requirement.

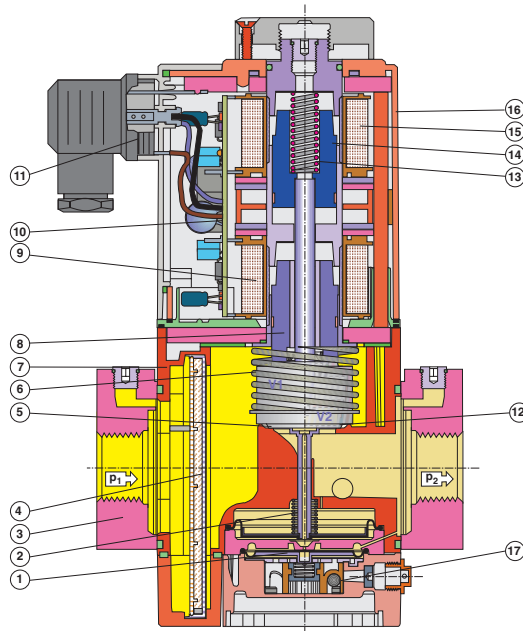
### Closing function

If there is an interruption in power supply to the solenoids of valves V1 and V2, they are closed by the compression springs within <1s.

## Schematic diagram MBC...SE/N

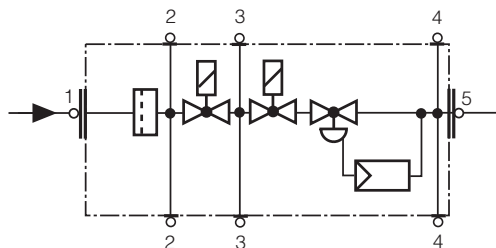


M	Working diaphragm	a, b	Pressure chambers in flow direction
D	Restrictor	$p_1$	Inlet pressure
S	Servo diaphragm	$p_{br}$	Burner pressure, outlet pressure
E	Setting spring for outlet pressure $p_{br}$	$p_{amb}$	Ambient pressure
R	Regulator disc		



1	Pressure regulator unit	8	Plunger V1	15	Solenoid V2
2	Regulator spring	9	Solenoid V1	16	Solenoid housing
3	Connecting flange	10	PCB	17	Adjustment: - Gas pressure $p_{br}$
4	Coarse and microfilters	11	Electrical connection		
5	Valve V1	12	Valve V2		
6	Closing spring V1	13	Closing spring V2		
7	Housing	14	Plunger V2		

### Pressure taps, gas train diagram MBC...SE/N



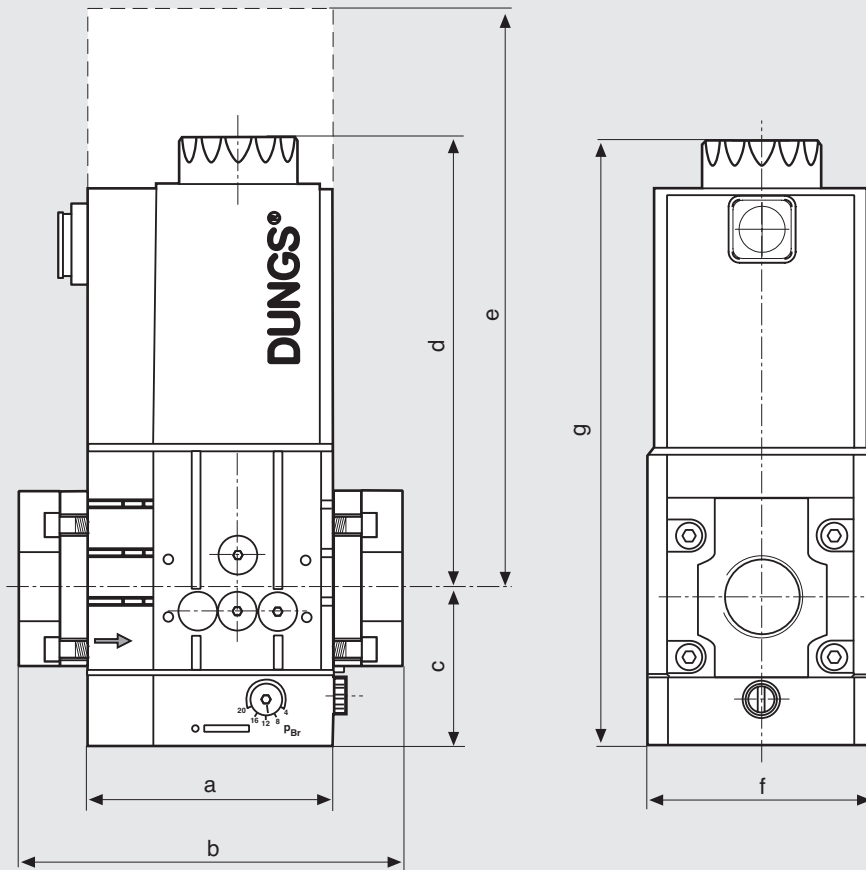
1, 2, 3, 4, 5 Screw plug G 1/8

## Technical Data

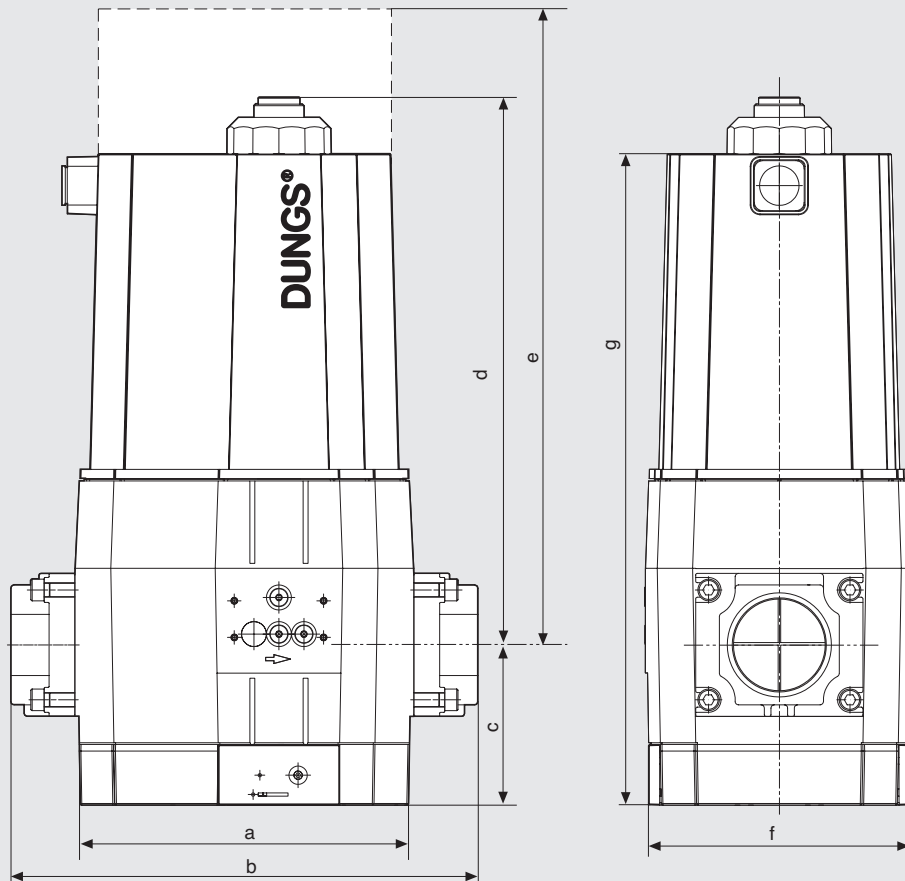
Nominal widths Flanges with pipe threads to ISO 7/1 (DIN 2999)	MBC-300-SE Rp 1/2, 3/4, 1, 1 1/4 and their combinations	MBC-700-SE Rp 1, 1 1/4, 1 1/2, 2 and their combinations	MBC-1200-SE Rp 1, 1 1/4, 1 1/2, 2 and their combinations
<b>Max. operating pressure</b>	<b>360 mbar (36 kPa)</b>		
<b>Inlet pressure ranges</b>	<b>S22/S82:</b> $p_e = 15 - 360 \text{ mbar (1.5 - 36 kPa)}$ <b>S302:</b> $p_e = 35 - 360 \text{ mbar (3.5 - 36 kPa)}$ <b>S02/N:</b> $p_e = 15 - 100 \text{ mbar (1.5 - 10 kPa)}$		
<b>Burner pressure ranges</b>	<b>S22:</b> $p_{Br} = 4 - 20 \text{ mbar (0.4 - 2 kPa)}$ <b>S82:</b> $p_{Br} = 5 - 80 \text{ mbar (0.5 - 8 kPa)}$ <b>S302:</b> $p_{Br} = 30 - 300 \text{ mbar (3 - 30 kPa)}$ <b>S02/N:</b> $p_{Br} = 0 \pm 2 \text{ mbar (0} \pm 0.2 \text{ kPa)}$		
Media	Gases of gas families 1, 2, 3 and other inert gaseous media		
Ambient temperature	-15 °C up to +70 °C (in LPG plants, do not operate MBC...SE below 0 °C. Only suitable for gaseous LPG, liquid hydrocarbons destroy the seal materials)		
Dirt trap device	Micro-filter made of chopped-strand nonwoven fabric. Filter replaceable without removing fitting		
Pressure switch	Types GW A5, NB A2, ÜB A2 as per DIN EN 1854 retrofitable. For further information refer to Data Sheets „Pressure switch for DUNGS multiple actuators“ 5.03 and 5.12		
Servo pressure regulator	Servo pressure regulator with adjustable burner pressure, as per DIN EN 88 Class A, Group 2 Versions for constant pressure and zero pressure available		
Solenoid valve V1, V2	Valves as per DIN EN 161 Class A Group 2, fast-closing, fast-opening		
Measuring gas connection	G 1/8 DIN ISO 228, at inlet and outlet flanges, on both sides downstream of filter, between V1 and V2, downstream of V2 (fitting pressure switch may partially exclude measuring gas connection)		
Voltage/frequency	~(AC) 50 - 60 Hz 230 V -15 % +10 %, other voltages on request. Standard voltages: ~(AC) 100 V - 120 V, =(DC) 24 V - 28 V		
Electrical connection	Plug-in connection as per DIN EN 175301-803		
Rating/power consumption	at ~ (AC) 230 V; +20 °C: see type summary		
Switch-on duration	100 % ED		
Switching cycles	60 per hour (30 s on/off)		
Degree of protection	IP 54 as per IEC 529 (EN 60529)		
Radio interference suppression	Interference level N		
Materials of gas-conveying parts	Housing Diaphragms, seals Solenoid drive	die-cast aluminium on NBR base steel, aluminium	
Installation position	S22/S82/S302: Vertical with upright solenoid or horizontal with horizontal solenoid, as well as their spacers. S02/N: Vertical with upright solenoid		

## Mounting dimensions [mm]

### MBC-300/700-...



### MBC-1200-...




e = space requirement for solenoid replacement

Type Version	Order No. 230 VAC	DN Rp	Opening time	Mounting dimensions [mm]									Solenoid No.	Switching ops/h	Weight [kg]
				a	b	c	d	e	f	g					
MBC-300-SE S22	239 717	1/2 - 11/4	< 1 s	95	143	61	173	269	87	234	032/P	60	3.8		
MBC-300-SE S82	231 961	1/2 - 11/4	< 1 s	95	143	61	173	269	87	234	032/P	60	3.8		
MBC-300-SE S302	241 918	1/2 - 11/4	< 1 s	95	143	61	173	269	87	234	032/P	60	3.8		
MBC-300-N	on request	1/2 - 11/4	< 1 s	95	143	61	173	269	87	234	032/P	60	3.8		
MBC-700-SE S22	241 515	1 - 2	< 1 s	126	176	80	186	281	114	265	042/P	60	6.5		
MBC-700-SE S82	242 055	1 - 2	< 1 s	126	176	80	186	281	114	265	042/P	60	6.5		
MBC-700-SE S302	242 056	1 - 2	< 1 s	126	176	80	186	281	114	265	042/P	60	6.5		
MBC-700-N	on request	1 - 2	< 1 s	126	176	80	186	281	114	265	042/P	60	6.5		
MBC-1200-SE S22	245 623	1 - 2	< 1 s	204	281	96	328	530	161	424	052/P	60	16.8		
MBC-1200-SE S82	243 408	1 - 2	< 1 s	204	281	96	328	530	161	424	052/P	60	16.8		
MBC-1200-SE S302	243 409	1 - 2	< 1 s	204	281	96	328	530	161	424	052/P	60	16.8		

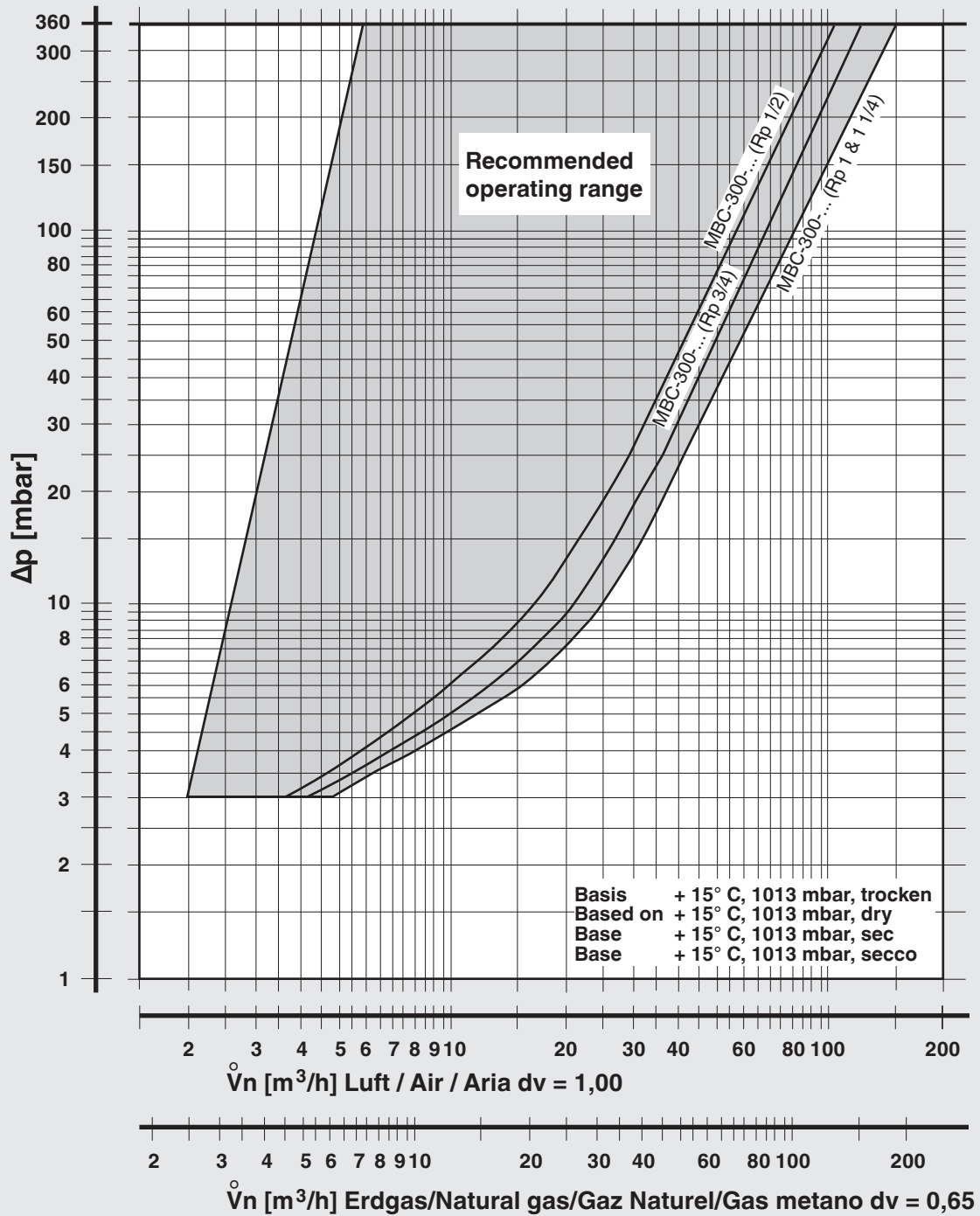
$P_{max}$  [VA] for t = 3 s       $P_{max}$  [VA] Operation

MBC-300-...	140	20
MBC-700-...	160	20
MBC-1200-...	200	30

Flange for	Rp/NPT	Order No.		Order No.	
MBC-300-...	Rp 1/2	222 341	Line socket	3 pole + PE	210 319
MBC-300-...	Rp 3/4	222 342			
MBC-300-...	Rp 1	222 001			
MBC-300-...	Rp 1 1/4	240 506			
MBC 700/1200-...	Rp 1	222 343	Adapter, pressure gauge flange set G1/2 Adapter GW A with G1/4 Adapter p <sub>Br</sub> Adapter GW A on flange	216 675 222 982 214 975 221 630	
MBC 700/1200-...	Rp 1 1/4	222 344			
MBC 700/1200-...	Rp 1 1/2	221 884			
MBC 700/1200-...	Rp 2	221 926			
MBC-300-...	NPT 1/2	222 371	 Flanges, plug-in connection and system accessories must be ordered separately.		
MBC-300-...	NPT 3/4	222 368			
MBC-300-...	NPT 1	221 999			
MBC-300-...	NPT 1 1/4	231 718			
MBC 700/1200-...	NPT 1	222 369			
MBC 700/1200-...	NPT 1 1/4	222 370			
MBC 700/1200-...	NPT 1 1/2	222 003			
MBC 700/1200-...	NPT 2	221 997			

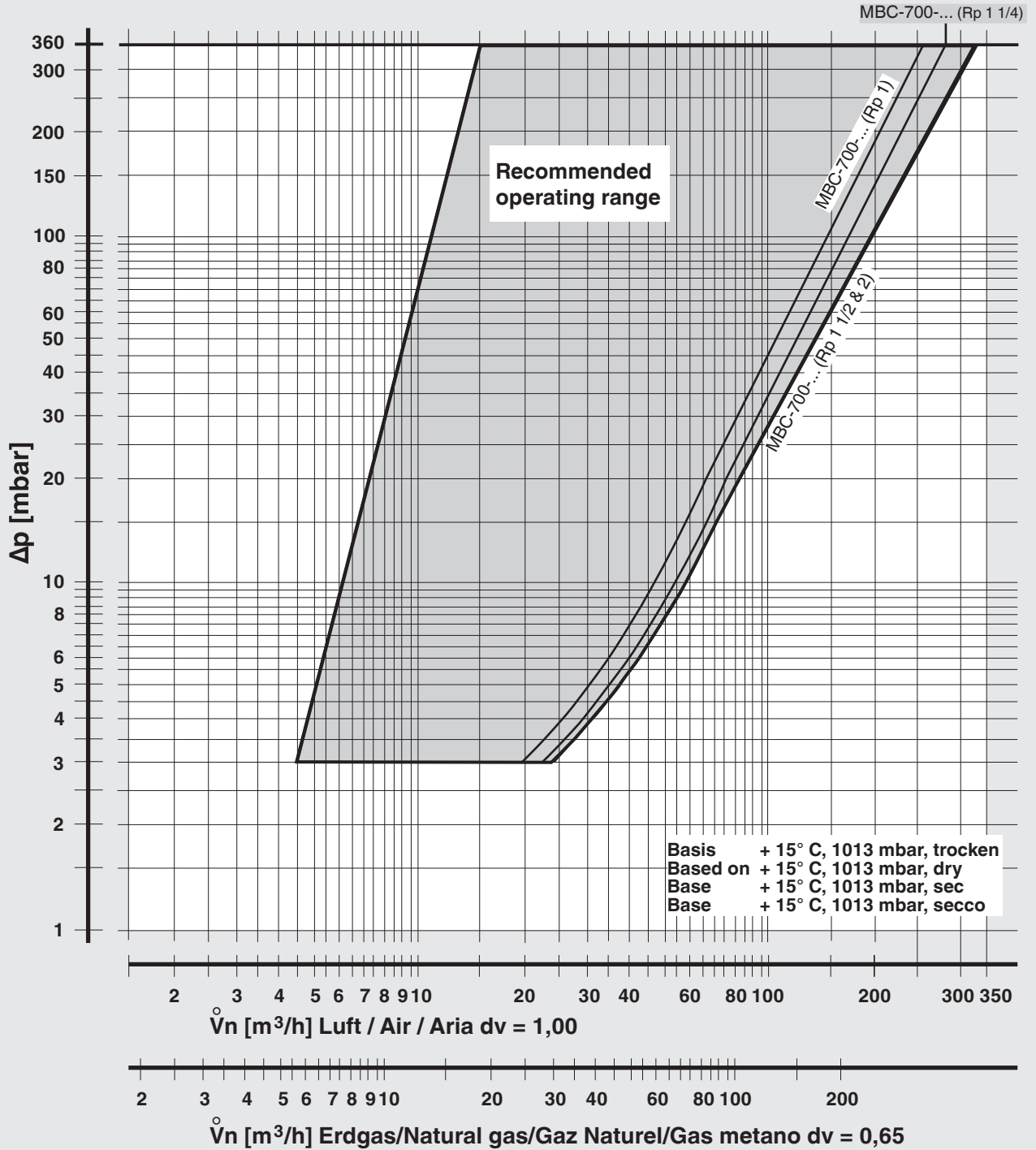
Volume flow pressure difference characteristics in steady state with microfilter.

MBC-300-...



Volume flow pressure difference characteristics in steady state with microfilter.

MBC-700-...



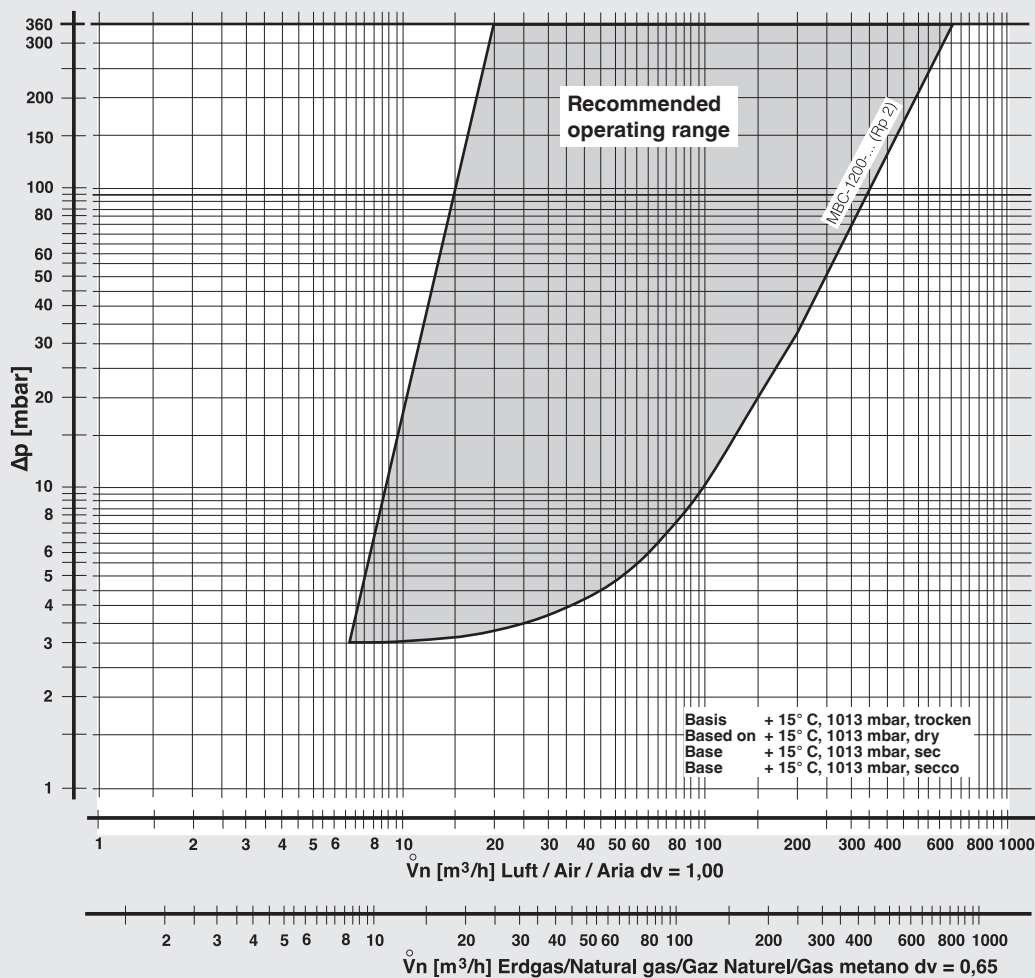
**GasMultiBloc®**  
**Combined servo pressure regulator**  
**and safety shut-off valves**

**MBC-300-SE**  
**MBC-700-SE**  
**MBC-1200-SE**  
**MBC-300-N**  
**MBC-700-N**



**Volume flow pressure difference characteristics in steady state with microfilter.**

**MBC-1200-...**



$$f = \sqrt{\frac{\text{Air density}}{\text{Density of gas used}}}$$

$$\dot{V}_{\text{gas used}} = \dot{V}_{\text{air}} \times f$$

Gas type	Density [kg/m³]	dv	f
Natural gas	0.81	0.65	1.24
Town gas	0.58	0.47	1.46
Liquid gas	2.08	1.67	0.77
Air	1.24	1.00	1.00

We reserve the right to make any changes in the interests of technical progress.

**Head Offices & Factory**  
**Karl Dungs GmbH & Co. KG**  
**Siemensstraße 6-10**  
**D-73660 Urbach, Germany**  
**Phone +49 (0)7181-804-0**  
**Fax +49 (0)7181-804-166**

**Postal address**  
**Karl Dungs GmbH & Co. KG**  
**Postfach 12 29**  
**D-73602 Schorndorf, Germany**  
**e-mail info@dungs.com**  
**Internet www.dungs.com**